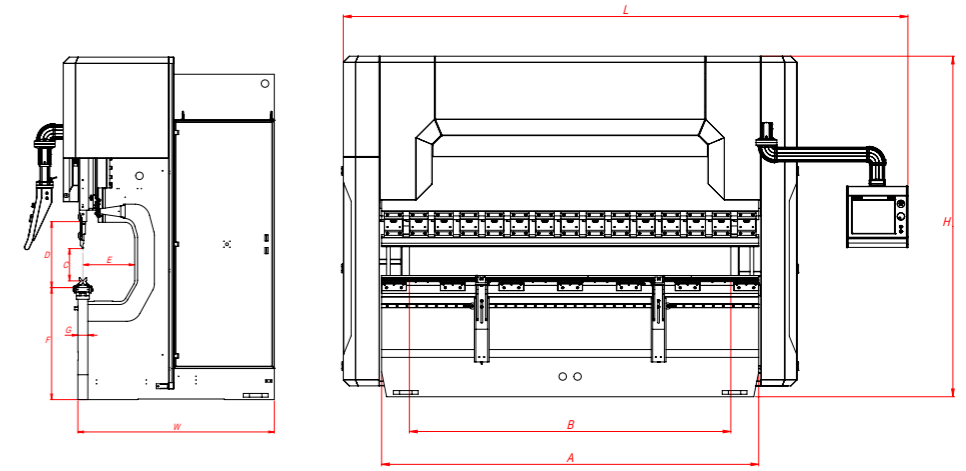


AD-Servo Series Technical Details



AD-Servo Series	Bending Force (Ton)	Bending Length (mm)	Distance Between Columns (mm)	Stroke (mm)	Daylight (mm)	Throat Depth (mm)	Table Height (mm)	Table Width (mm)	Working Speed	
									Y Rapid Speed (mm/sec)	Y Working Speed (mm/sec)
		A	B	C	D	E	F	G		
AD-Servo 25100	100	2550	2200	265	530	410	900	104	200	10
AD-Servo 30100	100	3050	2600	265	530	410	900	104	200	10
AD-Servo 30135	135	3050	2600	265	530	410	900	104	200	10
AD-Servo 30175	175	3050	2600	265	530	410	900	104	200	10
AD-Servo 30220	220	3050	2600	265	530	410	900	104	200	12
AD-Servo 30320	320	3050	2600	365	630	410	900	154	160	10
AD-Servo 37175	175	3700	3100	265	530	410	900	104	200	10
AD-Servo 37220	220	3700	3100	265	530	410	900	104	200	12
AD-Servo 40175	175	4050	3600	265	530	410	900	104	200	10
AD-Servo 40220	220	4050	3600	265	530	410	900	104	200	12
AD-Servo 40320	320	4050	3600	365	630	410	900	154	160	10
AD-Servo 60220	220	6050	5100	265	530	410	1100	154	200	12
AD-Servo 60320	320	6050	5100	365	630	410	1100	154	160	10

* 750 mm throat depth
 ** 750 - 1000 - 1250 mm throat depth
 Machines set according to optimum values.

Y Return Speed (mm/sec)	X Axes Working Speed (mm/sec)	R Axes Working Speed	R Axes Working Distance (Motorized)	X Axes Distance			Motor Power	Length (mm)	Width (mm)	Height (mm)	Weight Approx. (kg)
				650	750	1000					
								L	W	H	
200	500	350	250	S	-	O	4 x 2	3800	1670	2750	8650
200	500	350	250	S	-	O	4 x 2	4200	1670	2750	9250
200	500	350	250	S	-	O	4 x 2	4200	1680	2750	10250
200	500	350	250	S	-	O	4 x 2	4250	1700	2750	11250
180	500	350	250	S	-	O	5,1 x 2	4250	1770	2900	12250
160	500	350	250	S	-	O	7,2 x 2	4300	1820	3230	17250
200	500	350	250	S	-	O	4 x 2	4950	1700	2900	13000
180	500	350	250	S	-	O	5,1 x 2	4950	1770	2900	14100
200	500	350	250	S	-	O	4 x 2	5250	1700	2750	12850
180	500	350	250	S	-	O	5,1 x 2	5250	1770	2900	14750
160	500	350	250	S	-	O	7,2 x 2	5300	1910	3230	20750
180	350	300	250	-	S	O	5,1 x 2	7500	1770	3250	20590
160	350	300	250	-	S	O	7,2 x 2	7500	1910	3450	28250

S : Standard
 O : Option